

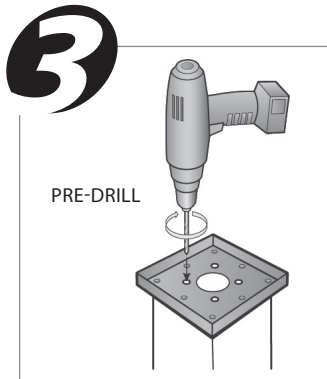
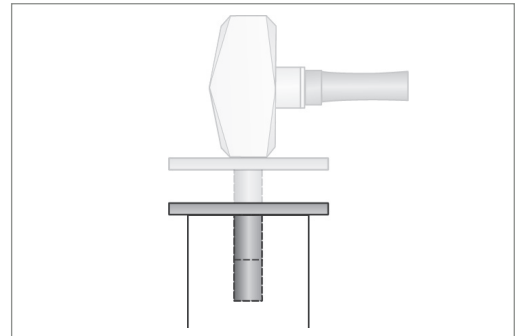
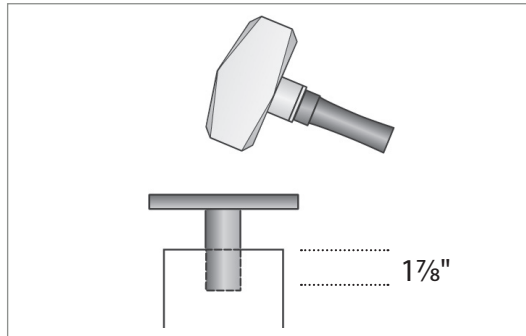
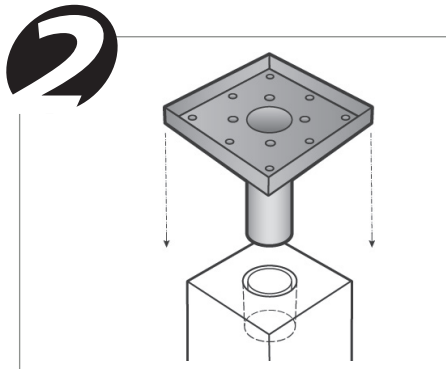
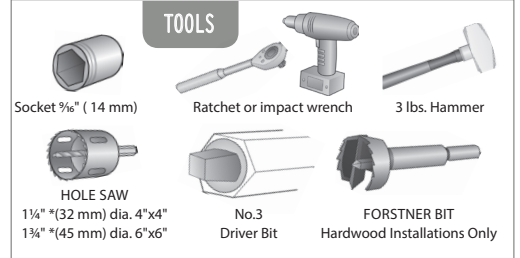
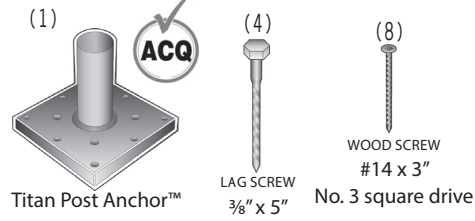
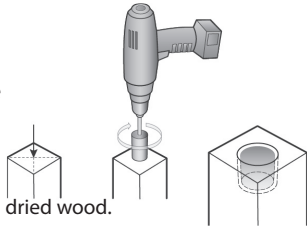
Instructions for 4" x 4" and 6" x 6" Post Anchor



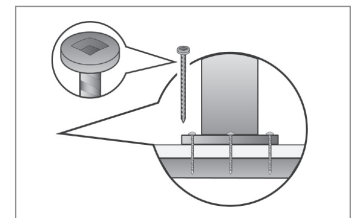
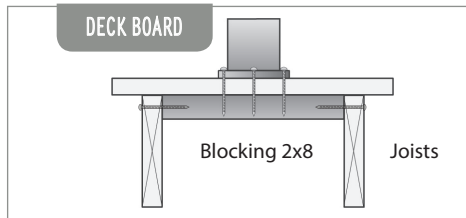
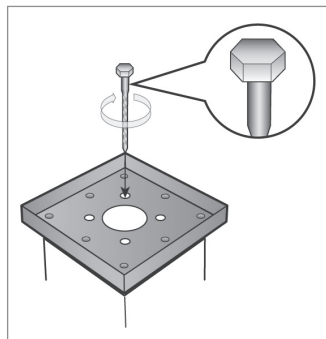
1 Softwood Installation

No knots in the lower 8" of the post.

Do not use Kiln dried wood.



PRE-DRILL



PRE-DRILLING GUIDE		
LAG SCREW	SOFTWOOD	HARDWOOD
5/16"	3/16"	9/32"
3/8"	1/4"	11/32"

INSTALLING RESIDENTIAL GUARDS

This product has been independently tested according to established AC 273 procedures set out in the IRC for the USA and CBC for Canada. It can be used as a code compliant post anchoring component in one and two family residential guard rail applications when installed according to these directions and conditions of use.

USA

Max rail height 36" (42" California)

Max 4x4 post spacing 6' (4' California, 6' if Power Bolt (chicago bolt) used)

Max 6x6 post spacing 8' (7' California)

MATERIALS

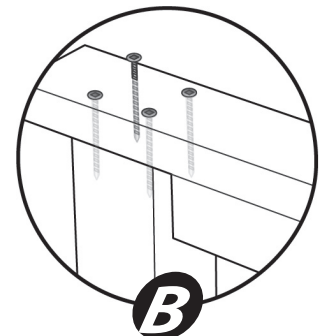
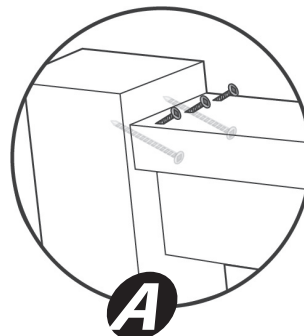
Use SPF lumber for posts and 2" blocking screwed between joists below each post.

Use fasteners included in package. Attach top rail to posts as shown in post to rail detail A or B.

POST TO RAIL DETAIL

(5) No. 10 x 3 1/2"

(4) No. 10 x 3 1/2"



Instructions for
4" x 4" and 6" x 6" Post Anchor



1 Hardwood Installation

