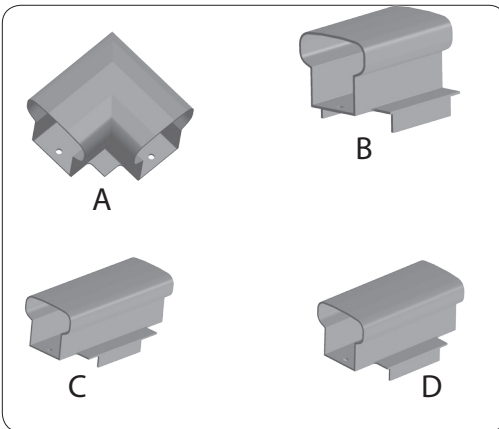


# Instructions for Lincoln Aluminum Over the Post Bracket



COLOR GUARD  
RAILING SYSTEMS

www.colorguardrailing.com



## Bracket Style:

- A) Corner
- B) End
- C) Stair
- D) Straight

## Tools Required:

- |                                    |                                   |
|------------------------------------|-----------------------------------|
| Drill Bits: 5/32"                  | 12" Combination Square            |
| #2 square drive hex bit 4" long    | 8" File                           |
| Drill with Adjustable Clutch       | Straight Edge                     |
| Miter Saw with Metal Cutting Blade | Center Punch - optional           |
| Level                              | Touch-up Paint - optional         |
| Rubber Mallet or Wood Block        | Silicone Adhesive - optional      |
| Tape Measure                       | Shop Vac or Blower - optional     |
| Masking or Duct Tape               | 1/8" Hex Wrench                   |
|                                    | <i>Always wear safety goggles</i> |

MADE IN THE USA

*Installer is responsible for quality workmanship and meeting all building codes.*

# 1

Over the post brackets can not be used in the following locations: at the bottom of a stair or at the top of a stair. They may also not be used at angles other than 90°. A 45° bracket will be available in 2017.

# 2

On straight sections, cut 3-3/4" off of the top of the post. Install posts and collars.  
See Step 6 for stair installation.

# 3

Using a 2" spacer by both posts, set bottom rail against post. Center bottom rail baluster openings. A minimum of 1-1/4" is required for bracket. Additional clearance will be required for VAW (variable angle wedge) installations. Mark rail and cut on the mark. Align bottom rail to top rail. Mark top rail and cut on the mark. Attach brace plug from rail kit to bottom of rail.

# 4

Place spacers from Step 3 between posts. Assemble rail section - insert balusters into bottom rail. Attach top rail. Slide "over the post" bracket on to top rail. Slide bottom brackets on to bottom rail. Set rail assembly on to spacers and "over the post" brackets in to post.  
NOTE LOCATION OF SCREW TABS ON "OVER THE POST BRACKET."

5

Attach “over the post” brackets to the post. Drill a  $5/32$ ” hole centered left to right on post  $1/4$ ” from top of post, through post and tab on brackets. Be sure bracket is centered before drilling through tab. Install (2) #10x1” screw from railing kit, 1 per side of post and tab. Install bottom bracket.

6

For stair installation, note “over the post” brackets may not be used on either the top or bottom post, only on intermediate posts.

7

Install all stair posts. Follow instructions on stair installation to determine where top rail brackets will be located on the upper and lower posts. Mount brackets

8

Run a string or chalk line under the top rail brackets and mark the remaining intermediate posts. Remove the intermediate posts and cut on this angle. Follow remaining stair installation instructions.