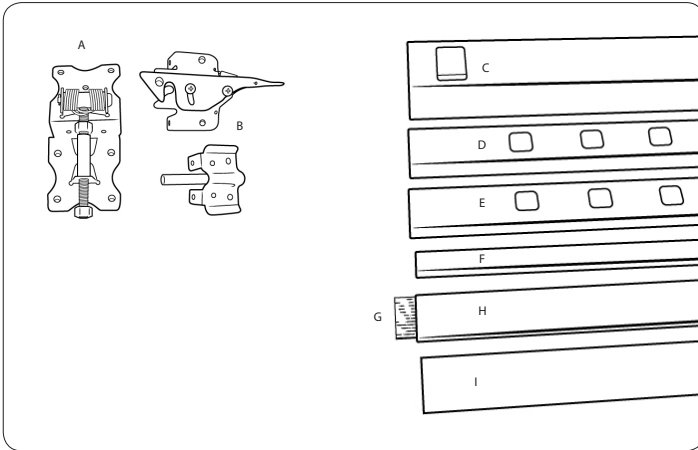


Instructions for Railing and Fence Gates



www.colorguardrailing.com



Component List:

- A) Hinge Assembly - 2
- B) Latch Assembly
- C) End Posts - 2
- D) Vinyl Top Rail - 1
- E) Vinyl Bottom Rail - 1
- F) Vinyl Baluster - count varies
- G) Plywood Brace Insert - 1
- H) Vinyl Gate Brace - 1
- I) $\frac{5}{8}$ x $3\frac{3}{4}$ " Plywood End Post Filler - 1

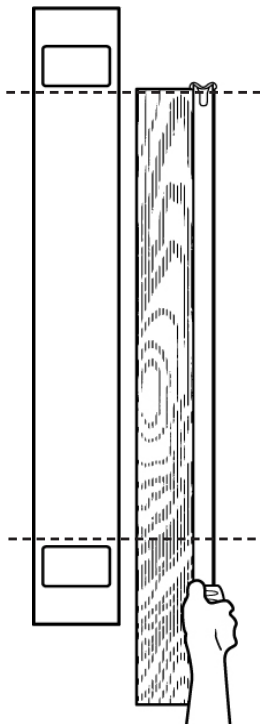
Tools required:

- Measuring tape
- PVC Cement
- Level
- Square
- Phillips screw driver
- Drill
- Phillips drive bit
- Power miter saw
- 10" 80 tooth carbide blade
- Always wear safety goggles*

Installer is responsible for quality workmanship and meeting all building codes.

MADE IN THE USA

1 Measure and Cut Post Fillers



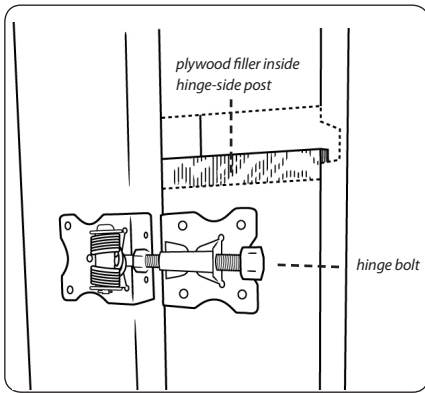
Gate Post: Measure distance between routed holes on side of railing gate post and mark on plywood insert $\frac{1}{2}$ " shorter than the distance between the routed holes.

Cut two pieces of plywood. One piece for each side of gate.

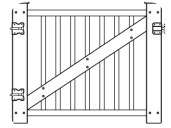


2

Attach Top and Bottom Hinges



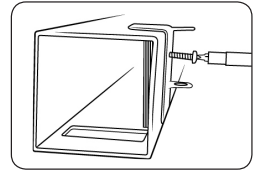
ezTIP: Before installing hinges, determine which way you want gate to swing. Hinges and latch striker will be mounted on the same side of gate posts.



Slide cut plywood into hinge-side gate post.

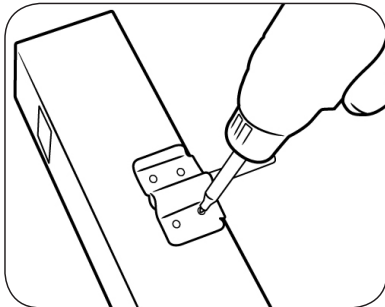
Position hinge center bolt 8" from top of hinge-side gate post and attach.

Attach bottom hinge by positioning center bolt 8" from bottom of hinge-side gate post. Be sure to screw through vinyl post and into wood.



3

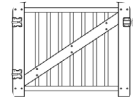
Attach Latch Striker



Place second piece of filler wood inside latch-side of gate post.

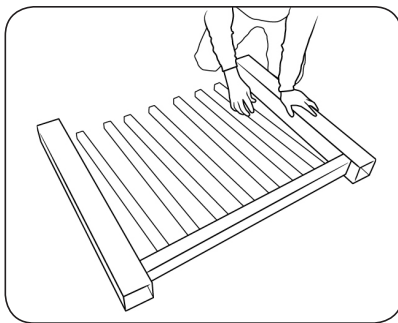
Attach latch striker to the gate post approximately 12" down from the top of post. **IMPORTANT:** Remember to install latch striker and hinges on the same side of gate posts.

ezTIP: Don't forget, latch striker and hinges will be mounted on the same side of gate posts.



4

Assemble Gate



ezTIP: Assemble gate on a clean, smooth surface like a blanket or cardboard. This will prevent marring surface.

Place posts, top and bottom rails on a flat surface and insert pickets.

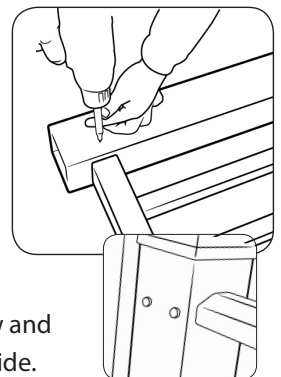
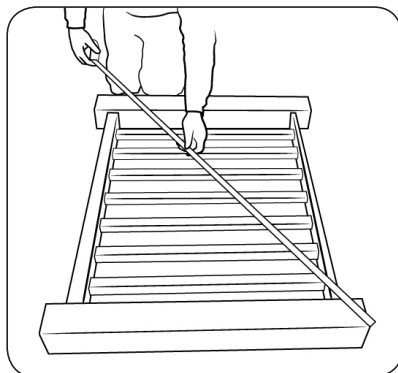
Slide ends of rails into routed holes on gateposts; be sure to **push rails all the way into posts.**

Check that gate is square by measuring corner to corner. Measurement should be the same.

Insert 1 screw and screw cap through gateposts and into top and bottom rails on all four corners on first side.

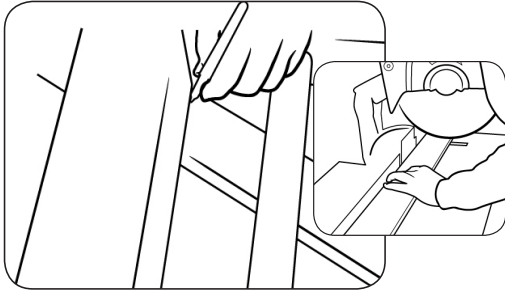
Re-check that gate is square and insert 1 more screw and screw cap through gate posts and into rails on first side. (8 total screws per side)

Turn gate over and repeat.





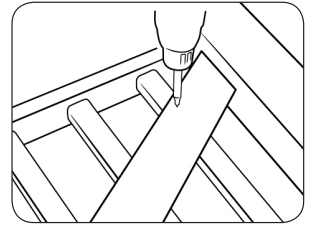
Measure, Cut and Attach Support Brace



Mark brace to fit snug when placed diagonally between gate posts.

Angle-cut brace to length.

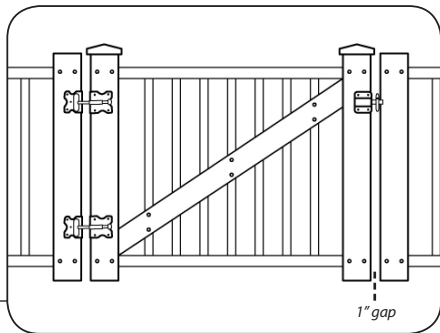
Support brace may be installed on either front or back of gate. Brace should be installed wedged between top and bottom rail with top of brace on latch edge, angling down to hinge edge.



Insert 2 screws and screw caps through brace into center picket and pickets closest to posts. Be sure to not over tighten!



Hang Gate



Hang gate so that there is a 1" opening on latch side of the gate. This can be accomplished by tightening or loosening the nuts on the T-Rod on the hinges. BOTH nuts on the T-Rod MUST be tightened or loosed together. Attach latch to the post to receive the latch striker.

Attach caps to tops of gate posts with PVC cement.